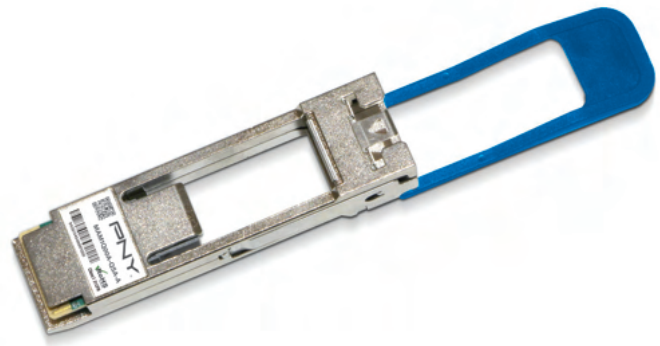


Features:

- Trouble-free installation and network bring-up
- Compliant to industry standards: SFF-8436|
- Compliant to industry standards: SFF-8432
- Precision process control for minimization of pair-to-pair skew
- 1 independent duplex channels operating at 10Gbps, also support for 5Gbps data rates
- All-metal housing for superior EMI performance
- 100ohm differential impedance system
- Operating case temperature: -20 to 85°C
- Low insertion loss
- Low crosstalk
- Secure latching mechanism
- RoHS compliant



- Compatible with RoHS
- Single +3.3V power supply

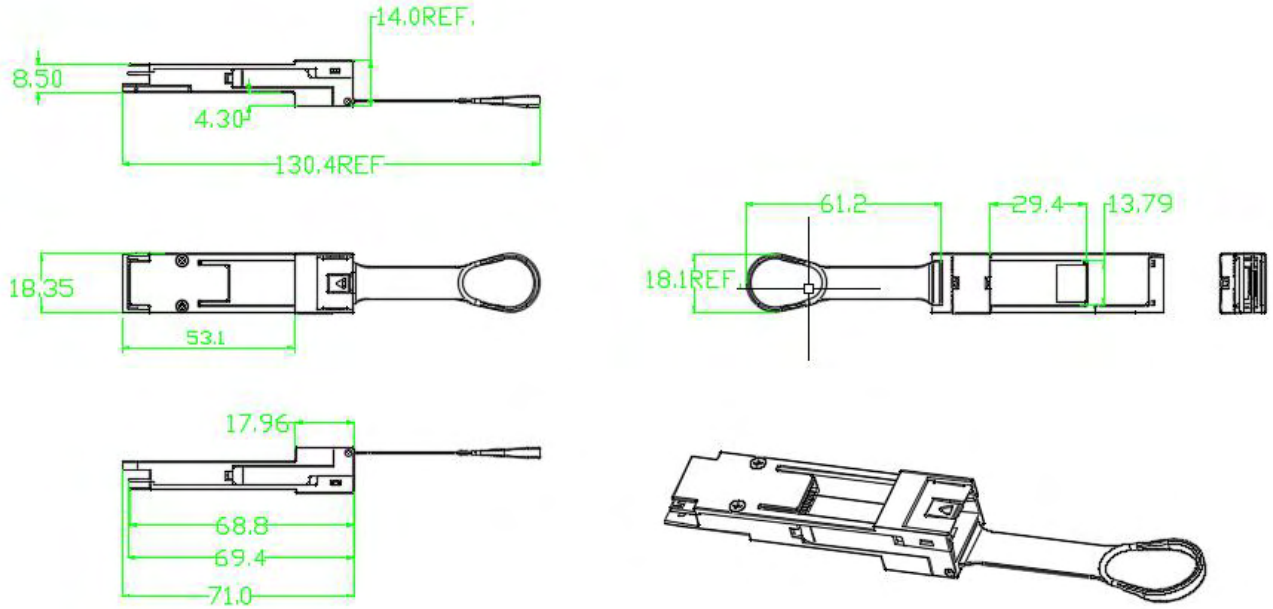
Applications:

- Low EMI radiation Switches, servers and routers
- Telecommunication and wireless infrastructure
- Test and measurement equipment
- Networked storage systems
- Data Center networks
- Storage area networks

1. Recommended Operation Condition

Parameter	Symbol	Min	Max	Unit
Operating Case Temperature	Topc	-20	85	°C
Storage Temperature	Tst	-40	85	°C
Relative Humidity (non-condensation)	RS	-	85	%
Supply Voltage	VCC3	3.15	3.45	V
Power consumption	Pout		0.3	W
Characteristic Impedance	Im	90	110	Ohm
Data Rate		1	25	Gbps

2. Mechanical Diagram



Note: External physical characteristics are subject to variation. This may include, but is not limited to, external case designs, pull tab colors and/or shapes, removal latch styles or colors, and label sizes and placement. These variations do not affect the function or characteristics of the transceivers.

3. Ordering Information

PNY P/N	Mellanox Legacy P/N	Nvidia P/N	Product Description
PAM1Q00A-QSA	MAM1Q00A-QSA	980-9I270-00IM00	100% Mellanox Compatible cable module, ETH 10GbE, 40Gb/s to 10Gb/s, QSFP to SFP+ 5 Year Warranty
PAM1Q00A-QSA-10	MAM1Q00A-QSA	980-9I270-00IM00	100% Mellanox Compatible cable module, ETH 10GbE, 40Gb/s to 10Gb/s, QSFP to SFP+ 10 Year Warranty

4. Contact Information

gopny@pny.com