

Features:

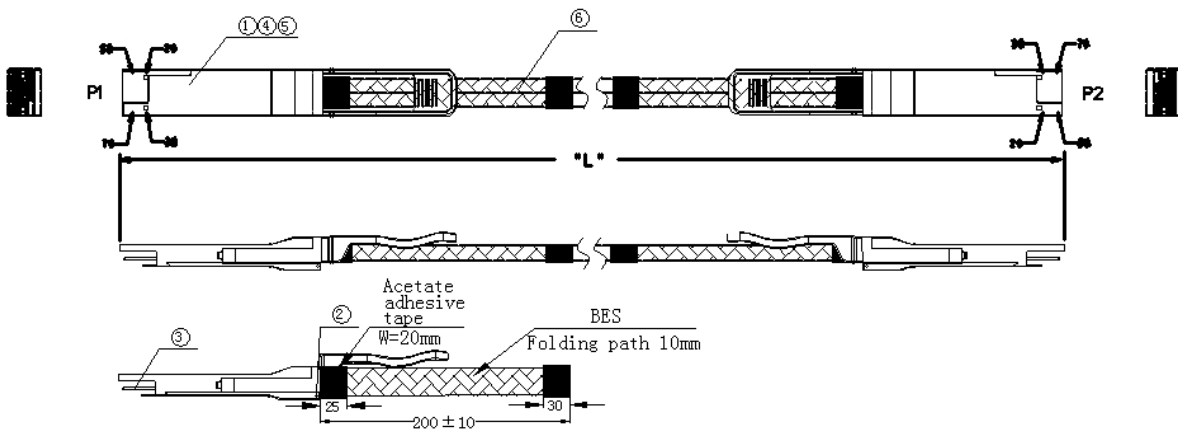
- Operating case temperature: 0~70°C
- Compliant with IEEE 802.3bj/IEEE 802.3cd
- Compliant with QSFP DD MSA
- RoHS compliant

Applications:

- Servers
- Switches
- Routers
- Data centers
- High performance computing



1. Outline Drawing



Note: External physical characteristics are subject to variation. This may include, but is not limited to, external case designs, pull tab colors and/or shapes, removal latch styles or colors, and label sizes and placement. These variations do not affect the function or characteristics of the transceivers.

2. Wiring Diagram

P1			P2	
GND	1		20	GND
TX2-	2	↔	21	RX2-
TX2+	3	↔	22	RX2+
GND	4		23	GND
TX4-	5	↔	24	RX4-
TX4+	6	↔	25	RX4+
GND	7		26	GND
ModPrsL	8		27	ModPrsL
ReseFL	9		28	InFL
VccRa	10		29	VccTx
SCL	11		30	VccI
SDA	12		31	InFLMode
GND	13		32	GND
RX3+	14	↔	33	TX3+
RX3-	15	↔	34	TX3-
GND	16		35	GND
RX1+	17	↔	36	TX1+
RX1-	18	↔	37	TX1-
GND	19		38	GND
GND	20		1	GND
RX2-	21	↔	2	TX2-
RX2+	22	↔	3	TX2+
GND	23		4	GND
RX4-	24	↔	5	TX4-
RX4+	25	↔	6	TX4+
GND	26		7	GND
ModPrsL	27		8	ModPrsL
InFL	28		9	ReseFL
VccTx	29		10	VccRa
VccI	30		11	SCL
InFLMode	31		12	SDA
GND	32		13	GND
TX3+	33	↔	14	RX3+
TX3-	34	↔	15	RX3-
GND	35		16	GND
TX1+	36	↔	17	RX1+
TX1-	37	↔	18	RX1-
GND	38		19	GND

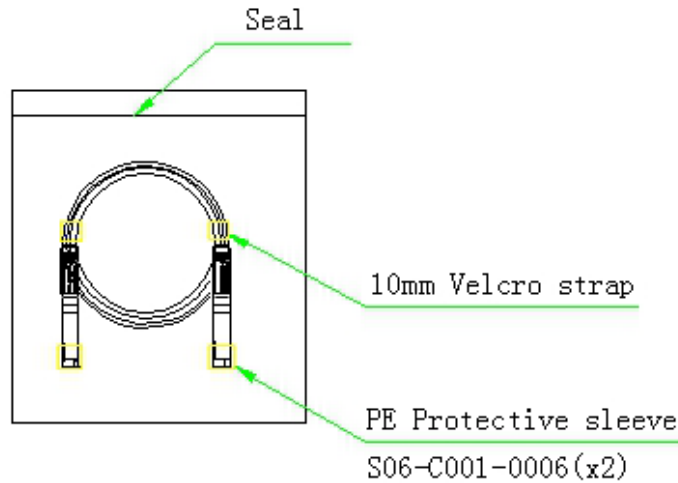
P1			P2	
GND	39		58	GND
TX6-	40	↔	59	RX6-
TX6+	41	↔	60	RX6+
GND	42		61	GND
TX8-	43	↔	62	RX8-
TX8+	44	↔	63	RX8+
GND	45		64	GND
Reserved	46		65	NC
VS1	47		66	Reserved
VccRx1	48		67	VccTx1
VS2	49		68	Vcc2
VS3	50		69	Reserved
GND	51		70	GND
RX7+	52	↔	71	TX7+
RX7-	53	↔	72	TX7-
GND	54		73	GND
RX5+	55	↔	74	TX5+
RX5-	56	↔	75	TX5-
GND	57		76	GND
GND	58		39	GND
RX6-	59	↔	40	TX6-
RX6+	60	↔	41	TX6+
GND	61		42	GND
RX8-	62	↔	43	TX8-
RX8+	63	↔	44	TX8+
GND	64		45	GND
NC	65		46	Reserved
Reserved	66		47	VS1
VccTx1	67		48	VccRx1
Vcc2	68		49	VS2
Reserved	69		50	VS3
GND	70		51	GND
TX7+	71	↔	52	RX7+
TX7-	72	↔	53	RX7-
GND	73		54	GND
TX5+	74	↔	55	RX5+
TX5-	75	↔	56	RX5-
GND	76		57	GND

3. Environment Performance

Item	Requirement	Test Conditon
Operating Temp. Range	-20°C to +75°C	Cable operating temperature range.
Storage Temp. Range (in packed condition)	-40°C to +80°C	Cable storage temperature range in packed condition.
Thermal Cycling Non-Powered	No evidence of physical damage	EIA-364-32D, Method A, -25 to 90C, 100 cycles, 15 min. dwells
Salt Spraying	48 hours salt spraying after shell corrosive area less than 5%.	EIA-364-26
Mixed Flowing Gas	Pass electrical tests per 3.1 after stressing. (For connector only)	EIA-364-35 Class II,14 days.
Temp. Life	No evidence of physical damage	EIA-364-17C w/ RH, Damp heat 90°C at 85% RH for 500 hours then return to ambient
Cable Cold Bend	4H, No evidence of physical damage	Condition: -20°C±2°C, mandrel diameter is 6 times the cable diameter.

4. Packaging and Marking:

- a. The connectors at both ends are protected by protective sleeves, and each put into a silver gray anti-static bag.
- b. Put a label in the middle of the silver gray anti-static bag.



5. Ordering Information

PNY P/N	Mellanox Legacy P/N	Nvidia P/N	Product Description
PCP1660-W001E30	MCP1660-W001E30	980-9I35O-00W001	100% Mellanox Compatible Direct Attach Copper cable, 400GbE, 400Gb/s, QSFP-DD, 1m, 30AWG 5 Year Warranty
PCP1660-W001E30-10	MCP1660-W001E30	980-9I35O-00W001	100% Mellanox Compatible Direct Attach Copper cable, 400GbE, 400Gb/s, QSFP-DD, 1m, 30AWG 10 Year Warranty
PCP1660-W002E26	MCP1660-W002E26	980-9I35P-00W002	100% Mellanox Compatible Direct Attach Copper cable, 400GbE, 400Gb/s, QSFP-DD, 2m, 26AWG 5 Year Warranty
PCP1660-W002E26-10	MCP1660-W002E26	980-9I35P-00W002	100% Mellanox Compatible Direct Attach Copper cable, 400GbE, 400Gb/s, QSFP-DD, 2m, 26AWG 10 Year Warranty
PCP1660-W00AE30	MCP1660-W00AE30	980-9I35R-00W00A	100% Mellanox Compatible Direct Attach Copper cable, 400GbE, 400Gb/s, QSFP-DD, 0.5m, 30 AWG 5 Year Warranty
PCP1660-W00AE30-10	MCP1660-W00AE30	980-9I35R-00W00A	100% Mellanox Compatible Direct Attach Copper cable, 400GbE, 400Gb/s, QSFP-DD, 0.5m, 30 AWG 10 Year Warranty
PCP1660-W01AE30	MCP1660-W01AE30	980-9I35S-00W01A	100% Mellanox Compatible Direct Attach Copper cable, 400GbE, 400Gb/s, QSFP-DD, 1.5m, 30A WG 5 Year Warranty



PCP1660-W01AE30-10	MCP1660-W01AE30	980-9I35S-00W01A	100% Mellanox Compatible Direct Attach Copper cable, 400GbE, 400Gb/s, QSFP-DD, 1.5m, 30A WG 10 Year Warranty
PCP1660-W02AE26	MCP1660-W02AE26	980-9I35T-00W02A	100% Mellanox Compatible Direct Attach Copper cable, 400GbE, 400Gb/s, QSFP-DD, 2.5m, 26A WG 5 Year Warranty
PCP1660-W02AE26-10	MCP1660-W02AE26	980-9I35T-00W02A	100% Mellanox Compatible Direct Attach Copper cable, 400GbE, 400Gb/s, QSFP-DD, 2.5m, 26A WG 10 Year Warranty

6. Contact Information

gopny@pny.com